

WARNING: DO NOT USE NORMAL LOW VOLTAGE TRANSFORMERS WITH LEDs.

All LED fittings are tested before dispatch. It is not necessary to check them on site. Do not power up until fittings are wired correctly.

INSTRUCTION LEAFLET



LD-PL


24V Picture Light

This product should be installed by a qualified electrician in accordance with all current, local legislation. For the UK, the current edition of the IEE Wiring Regulations and European Standard IEC 60364.

SPECIFICATION

LED luminaires are class III  for Safety Extra Low Voltage supply

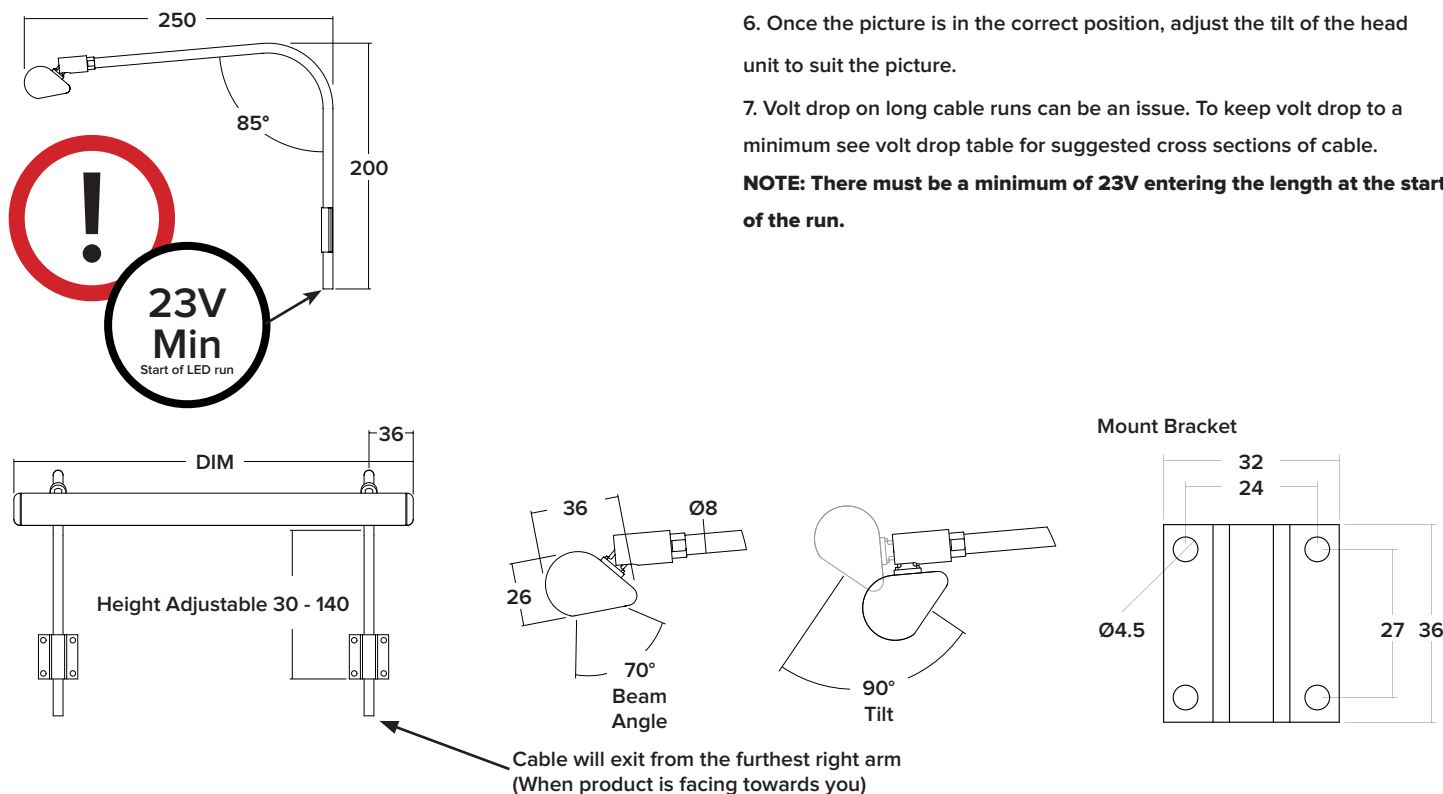
24 DC dedicated constant voltage supply.

Suitable for mounting on normally flammable surfaces. 

Lumen Maintenance: 50,000 hours L70 at Max Ambient of 35°C.

LD-PL power output	
Product code	Watts per metre
LD-PL / LG1200	10.4W/m
LD-PL / LG2000	18W/m

DIMENSIONS



INSTALLATION

1. Every installation will be slightly different. The picture light arm bracket can be mounted on either the wall behind the picture or onto the back of the picture frame.
2. See bracket drawing for dimensions. When mounting to surface use a N° 4 or N° 6 screw.
3. Once brackets are in the correct location, adjust the height of the luminaire to suit before the picture before tightening the screws.
4. Wire the luminaire to a specified driver.
5. For standard picture light lengths, a small driver can be mounted on the back of the picture frame or located in a single gang 35mm recessed backbox with cover plate behind the picture.
6. Once the picture is in the correct position, adjust the tilt of the head unit to suit the picture.
7. Volt drop on long cable runs can be an issue. To keep volt drop to a minimum see volt drop table for suggested cross sections of cable.

NOTE: There must be a minimum of 23V entering the length at the start of the run.

WIRING

Do not power up until fitting is wired correctly! Constant voltage LEDs must be wired in parallel, polarity is critical! See table for polarity of cables.

Single Colour LEDs		
Colour of Cable	Red	Black
Polarity	+	-

Example Volt Drop Table	
Distance	Cable cross section
0.5m - 10m Max	1.5mm
10m - 20m Max	2.5mm

SEE SPECIFIED DRIVER SHEET FOR WIRING DIAGRAM

IMPORTANT

Make sure that all cables and connections are securely connected before switching on the power. Do not switch on the power source prior to making these connections as this will result in the LEDs being overvoltage, which can lead to failure of the LEDs and/or the driver.

If the LEDs do not work upon power up, turn off the power source immediately and check the polarity of the wiring.

MAINTENANCE

Lamps: Non Replaceable.
Clean with soft cloth.

This leaflet should be issued and retained by the end user.